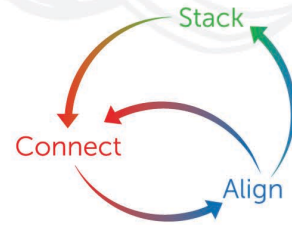


One Perfect System  
5 Extrusions  
Limitless Flexibility



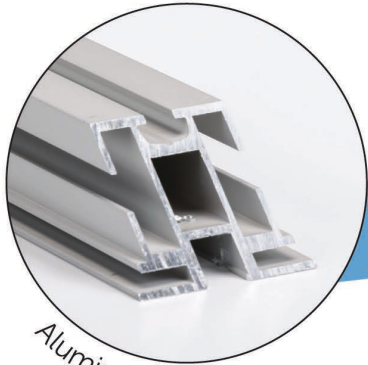
- Trade Shows
- Events
- Conventions
- Environments

Call 800-654-6946  
TradeshowGuyExhibits.com



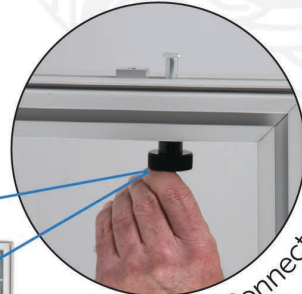
The Basic Building Blocks

KEY FEATURES



Aluminum Extrusion

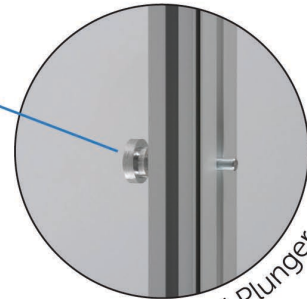
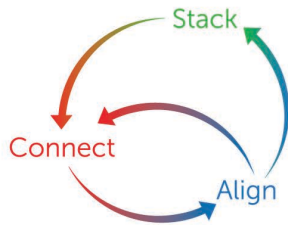
No Loose Parts.  
No Tools.  
No Kidding.



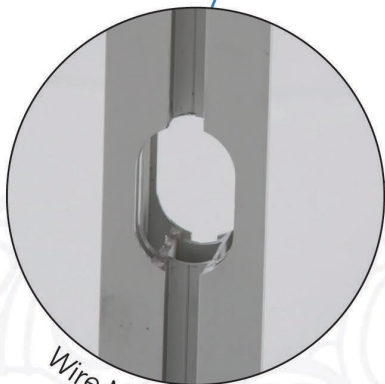
Spring Connectors



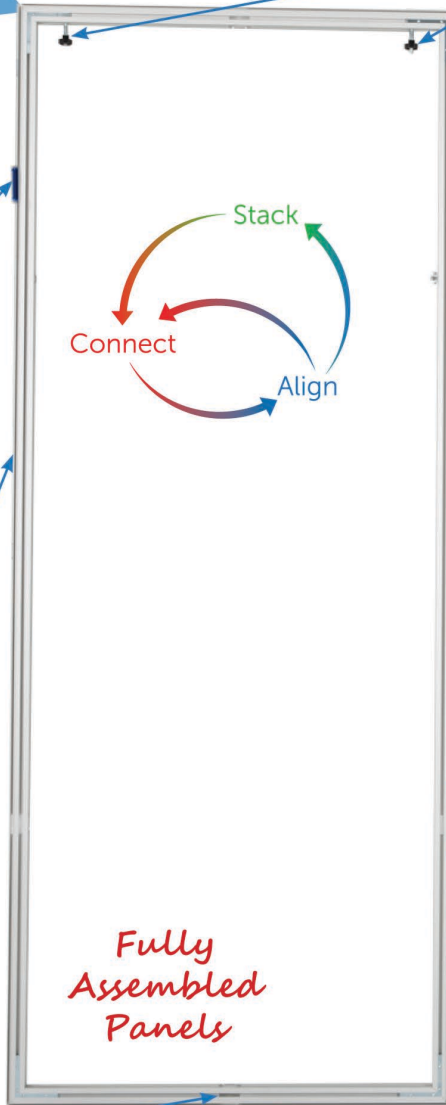
Alignment Clips



Panel Plunger

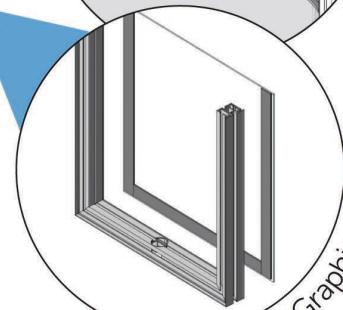
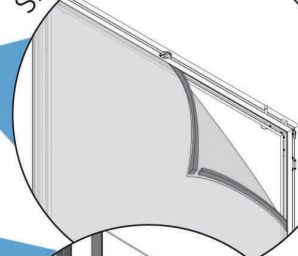


Wire Management



Fully Assembled Panels

Silicone Edge Graphics (SEG)



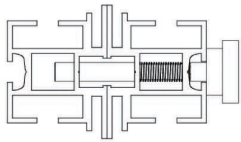
Direct Print Graphics

Always Single OR Double-sided Panels

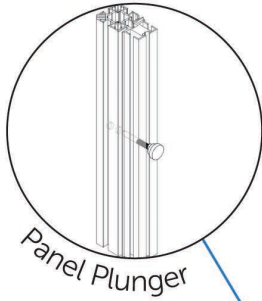
Call 800-654-6946  
TradeshowGuyExhibits.com



Panel Connections



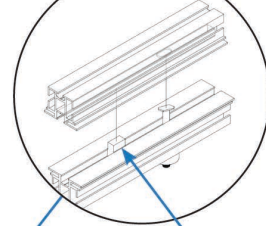
*Horizontal*



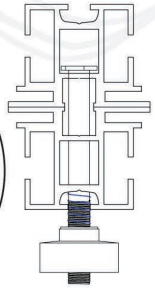
Panel Plunger

*Vertical*

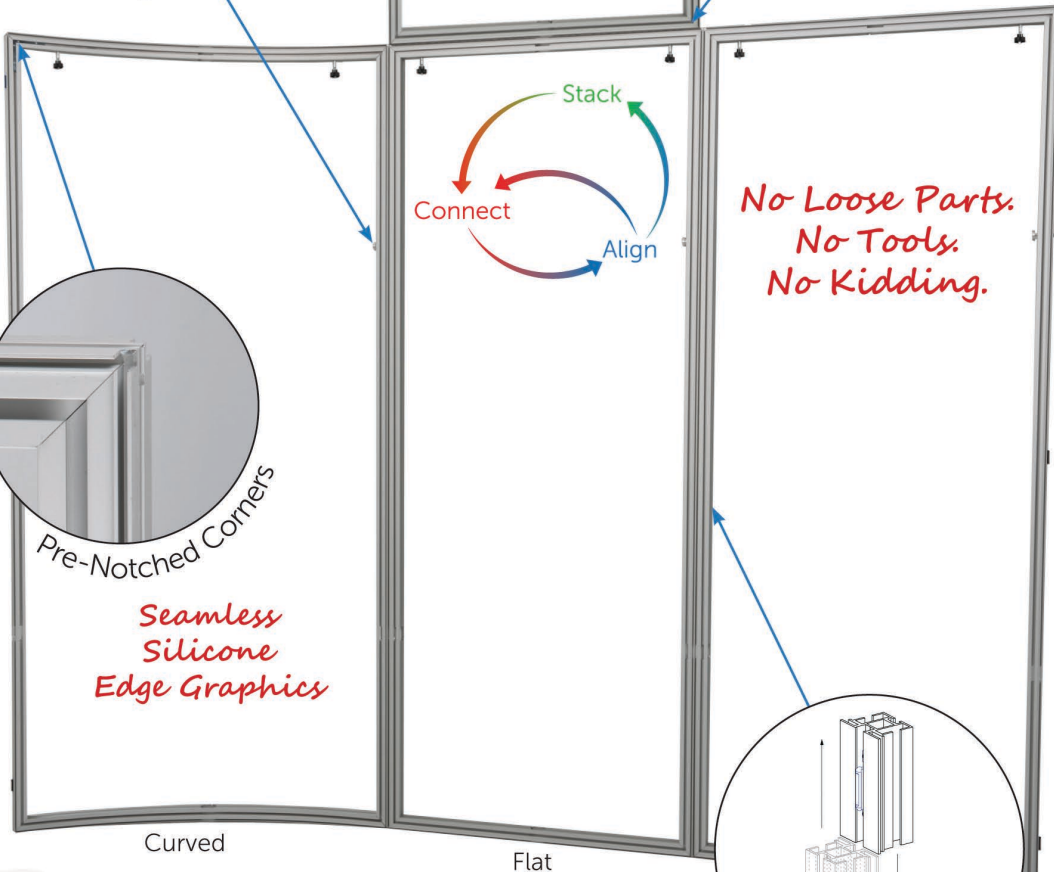
Spring Connector



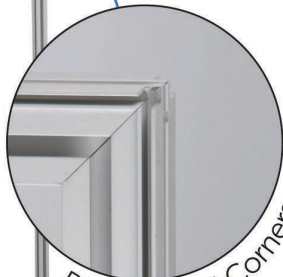
Alignment Block



KEY FEATURES



*No Loose Parts.  
No Tools.  
No Kidding.*

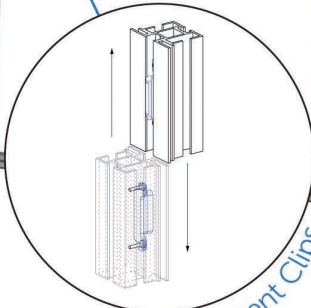


Pre-Notched Corners

*Seamless  
Silicone  
Edge Graphics*

Curved

Flat



Alignment Clips

*Connect  
Panels  
w/out Tools*

Attached Polycarbonate Alignment Clips



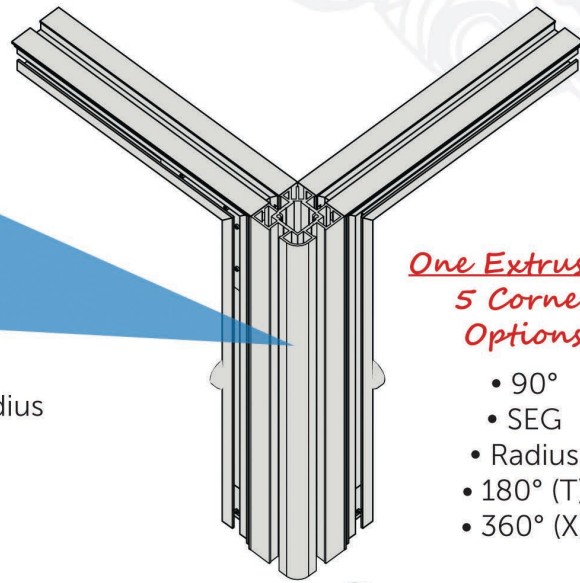
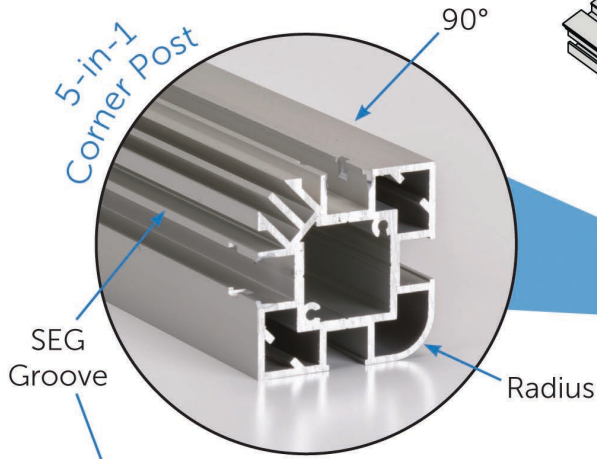
**Call 800-654-6946**  
**TradeshowGuyExhibits.com**





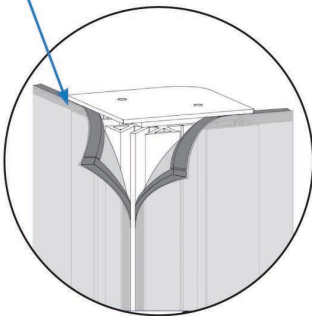
Corner Connections

KEY FEATURES



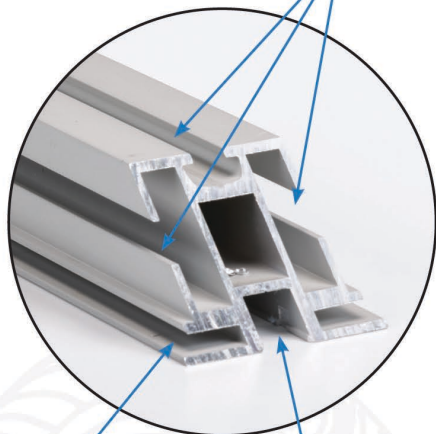
*One Extrusion  
5 Corner Options*

- 90°
- SEG
- Radius
- 180° (T)
- 360° (X)

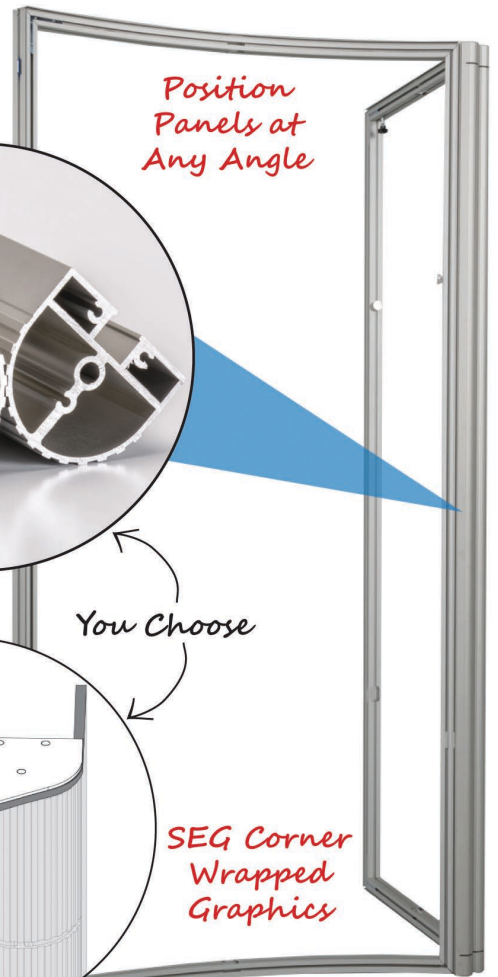
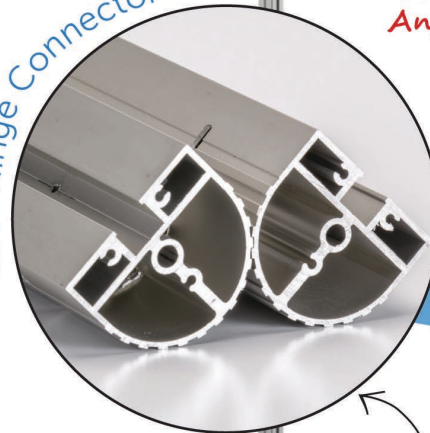


*Build Off of Any Panel*

ClassicMODUL Grooves

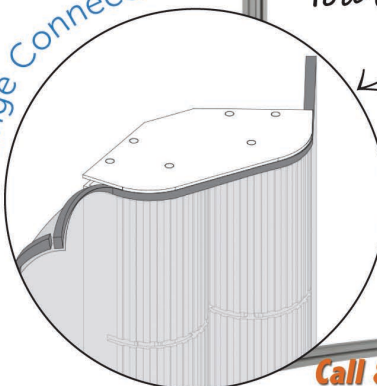


180° Hinge Connector



You Choose

Fixed Hinge Connector



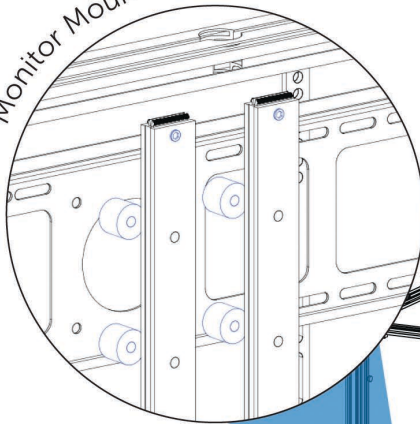
*SEG Corner Wrapped Graphics*

Call 800-654-6946  
TradeshowGuyExhibits.com



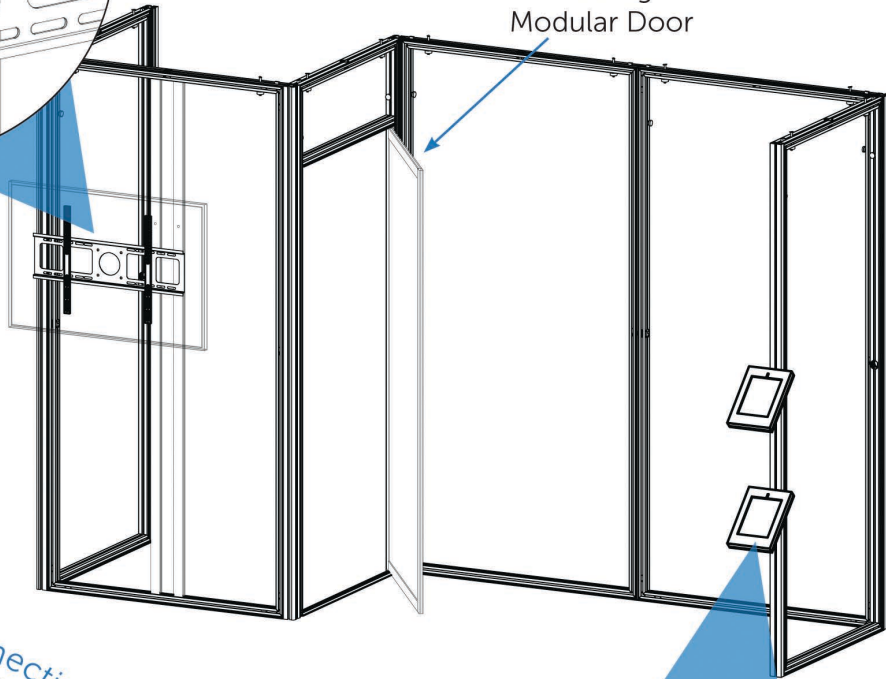


Monitor Mount

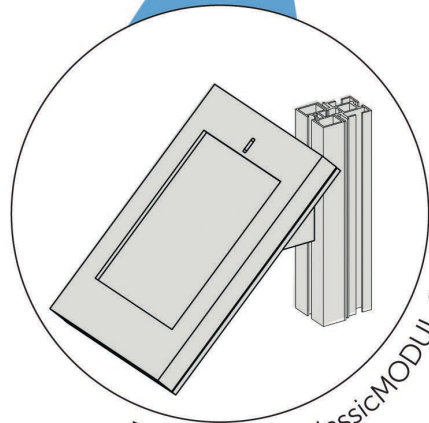
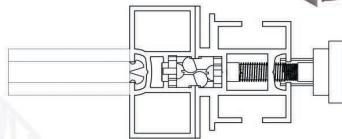
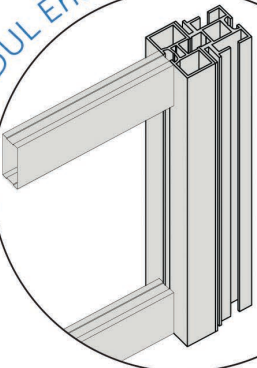


with ClassicMODUL  
Extrusion and Locks

Locking  
Modular Door



ClassicMODUL End Cap Connection



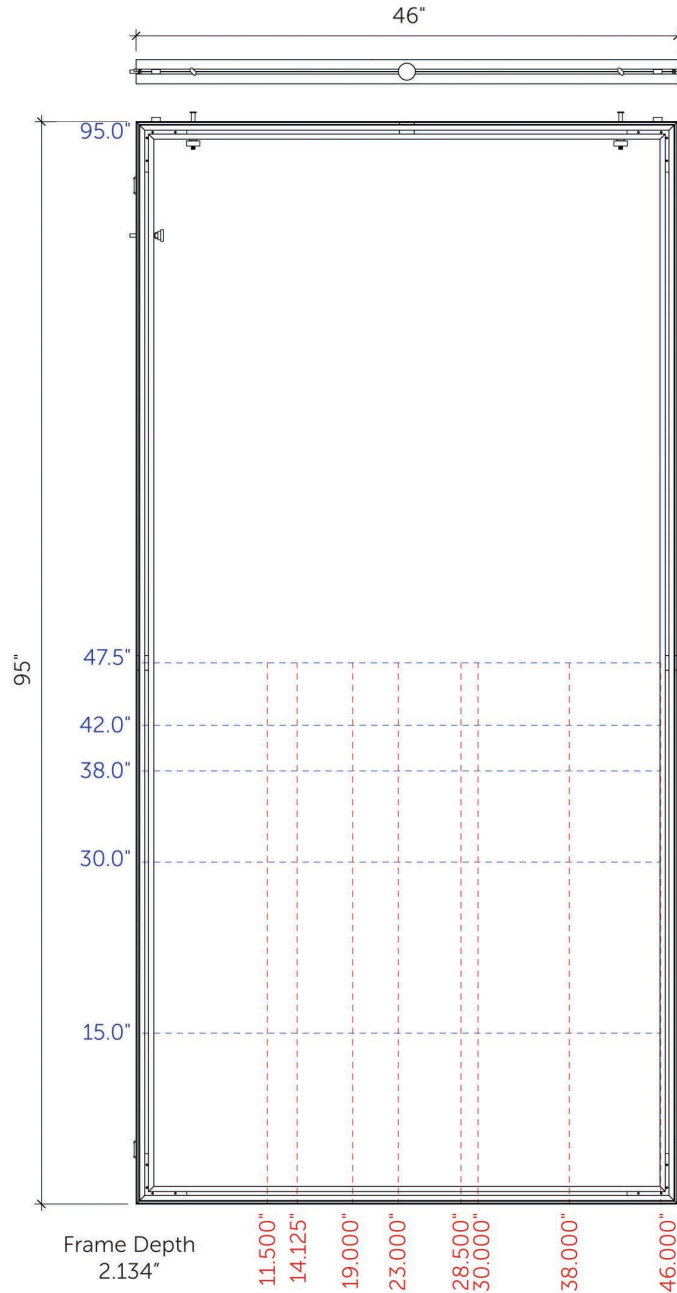
End Cap with ClassicMODUL Groove

ACCESSORIES



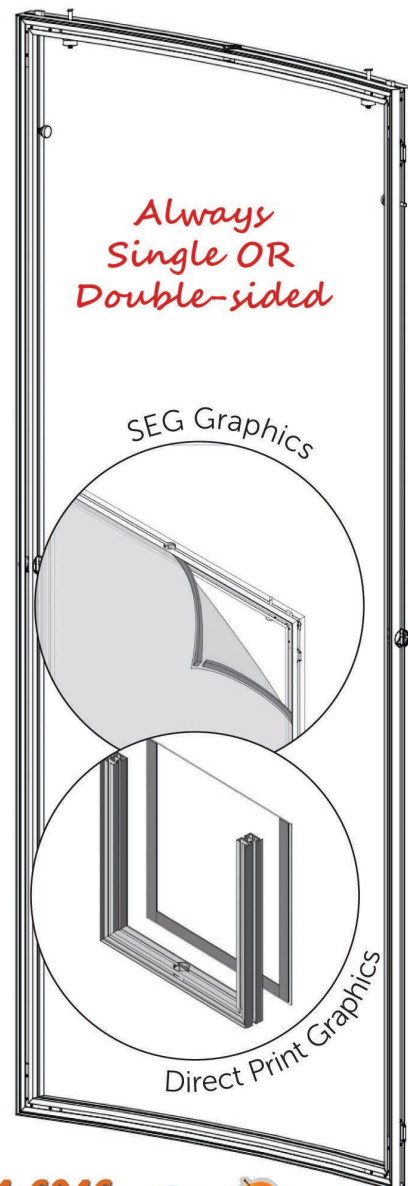
## Flat Panel Standard Sizes

### Panel Sizes



### Standard Frame Includes:

- (4) Wire Management Holes
- Attached Alignment Clips
- Attached Panel Plunger
- Vertical Spring Connector Option
- ClassicMODUL Groove - Interior Perimeter and Face Channels



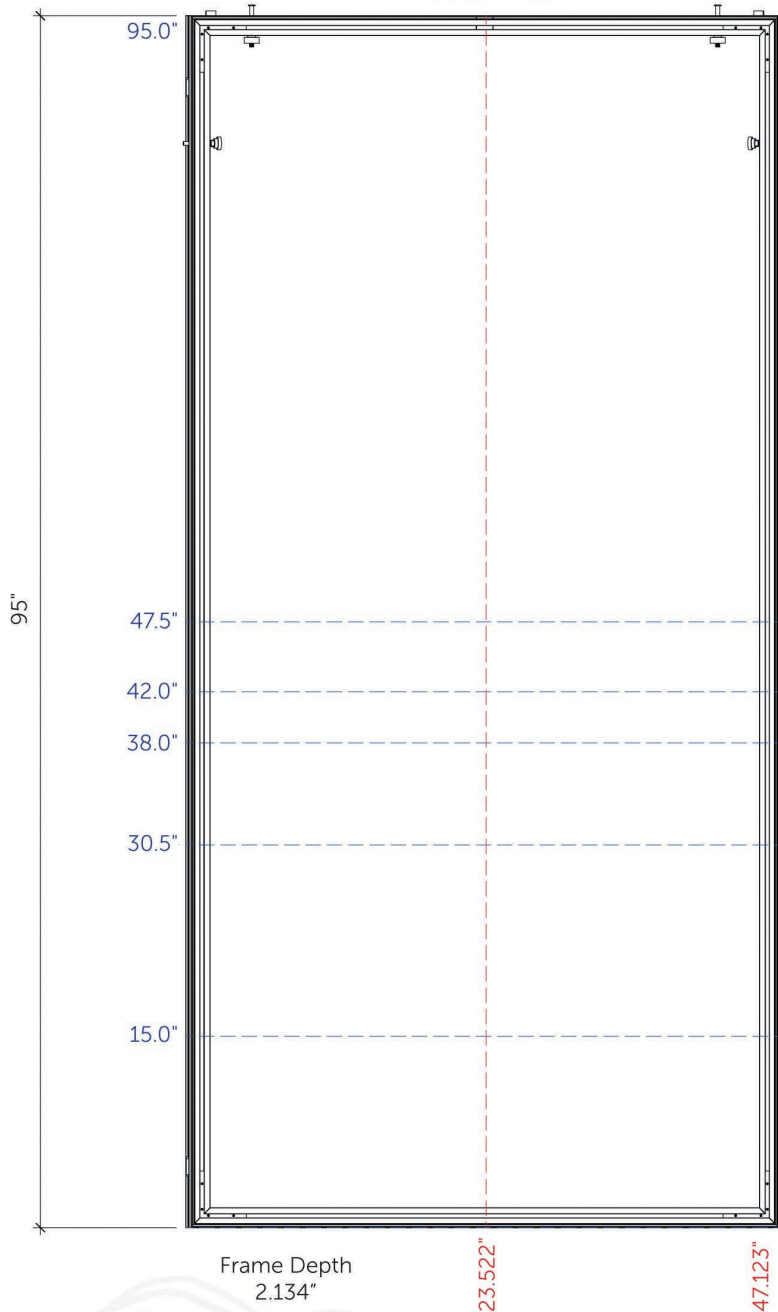
Call 800-654-6946  
TradeshowGuyExhibits.com





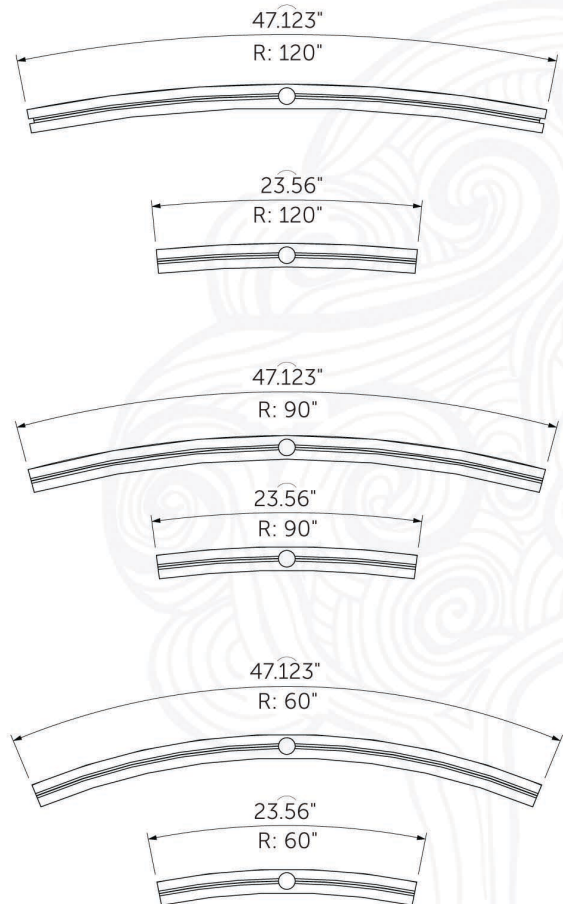
## Curved Panel Standard Sizes

### Panel Sizes



### Standard Frame Includes:

- (4) Wire Management Holes
- Attached Alignment Clips
- Attached Panel Plunger
- Vertical Spring Connector Option
- ClassicMODUL Groove - Interior Perimeter and Face Channels



**Call 800-654-6946**  
**TradeshowGuyExhibits.com**

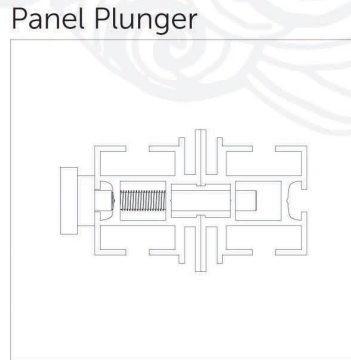
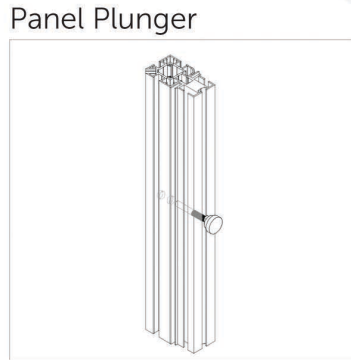
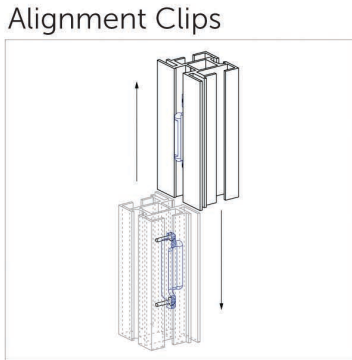


*No Loose Parts.  
No Tools. No Kidding.*

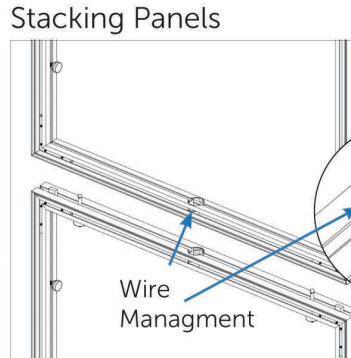
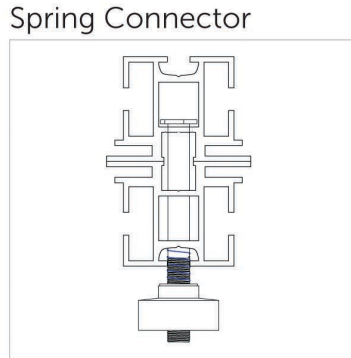
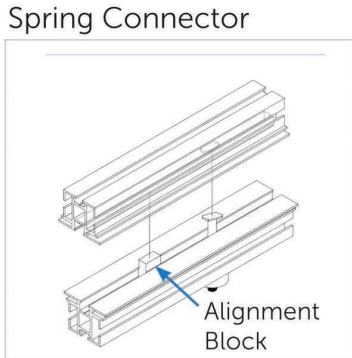
Features

Connections

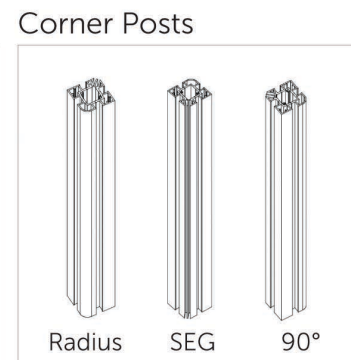
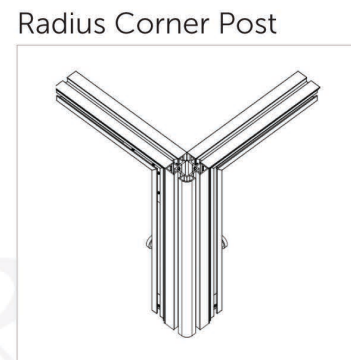
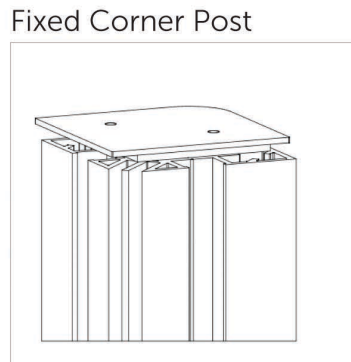
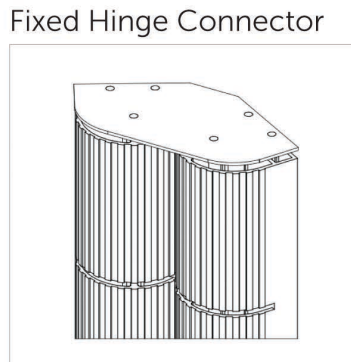
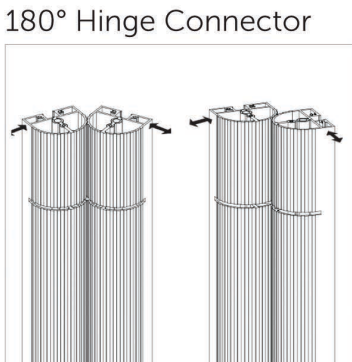
Horizontal Connections



Vertical Connections



Connections



OVERVIEW



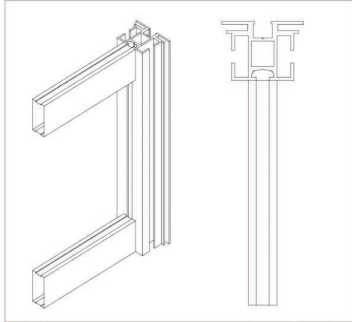


Features

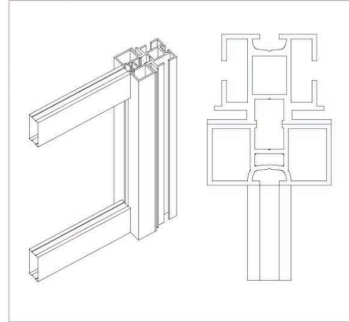
Connections

Connections

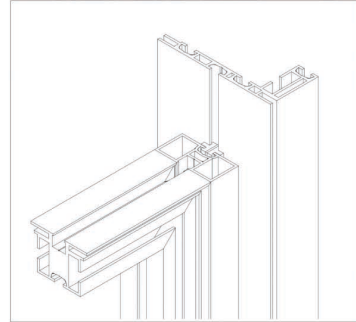
ClassicMODUL Lock



ClassicMODUL End Cap



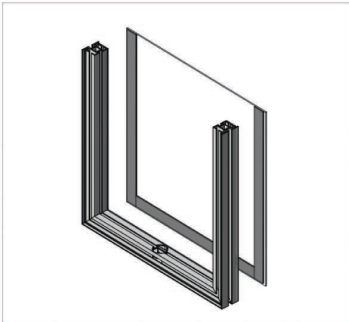
Lightbox Connection



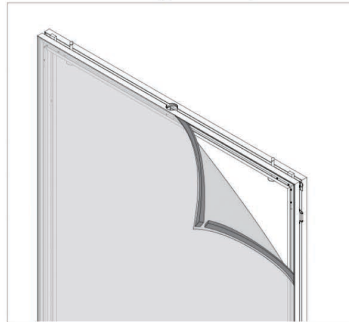
Graphics

Graphic Types

Direct Print



Silicone Edge Graphics



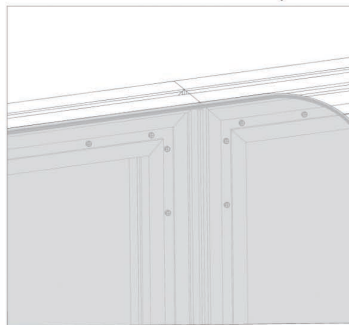
*Always  
Single OR  
Double-sided  
Panels*

Continuous Graphics

Pre-Notched SEG Corners



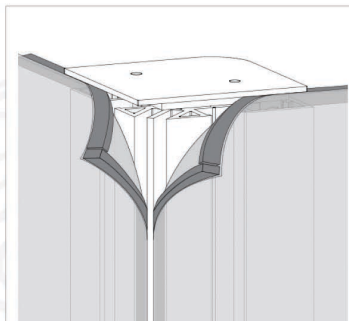
Continuous SEG Graphics



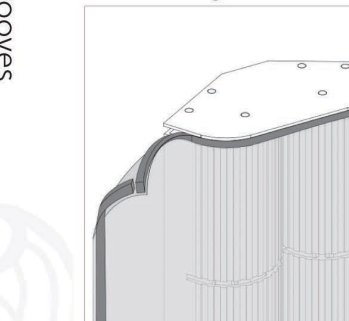
*Seamless  
Panel-to-Panel  
Graphics*

Corner Wraps

Fixed Corner Post w/ SEG Grooves



Fixed Hinge Connector w/ SEG Grooves



*SEG  
Corner  
Wraps*

**Call 800-654-6946**  
**TradeshowGuyExhibits.com**



OVERVIEW